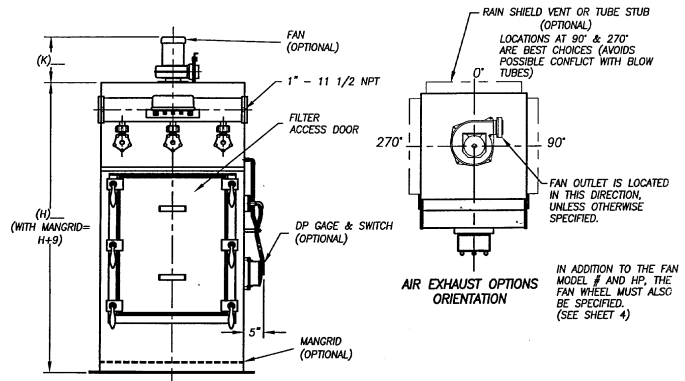
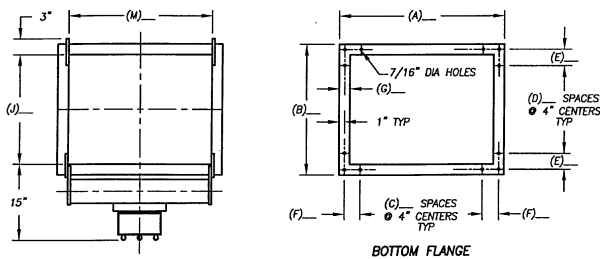


3 - FILTER & BAG HOUSE COMPONENTS

Bin Vent Filters (page 1 of 2)

PRODUCT FEATURES - BIN VENT FILTERS BOTTOM BAG REMOVAL

- Available from 3.7 to 1,493 sq. ft. of filter media, 2 to 100 bags
- NEMA 4, 7, and 9 electricals available
- Carbon steel construction standard with optional epoxy coated product contact or 304 stainless steel product contact
- Options include bird screen, Delta P gauge and switch, and man grid

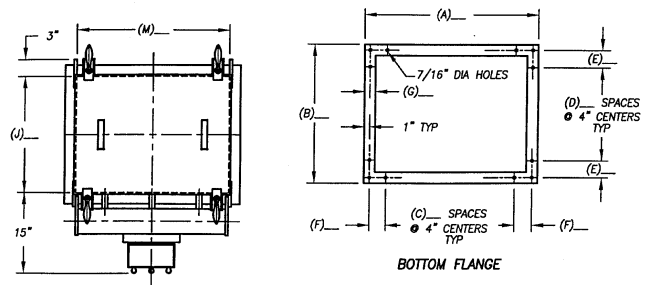


NOTES

- ① In some cases, it may prove advantageous to remove the electrical controls (but not solenoids) from its enclosure and place them in the main control panel.
- ② 80-100 psi plant air required.

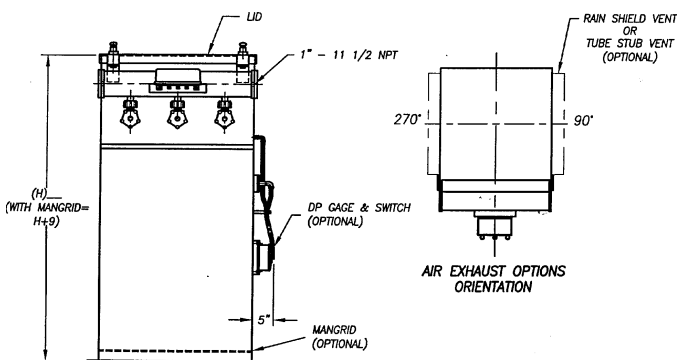
PRODUCT FEATURES - BIN VENT FILTERS TOP BAG REMOVAL

- Top bag removal for ease of access and maintenance
- Available from 3.7 to 1,493 sq. ft. of filter media, 2 to 100 bags
- NEMA 4, 7, and 9 electricals available
- Carbon steel construction standard with optional epoxy coated product contact or 304 stainless steel
- Options include bird screen, Delta P gauge and switch, and mangrid



NOTES

- ① Filter timer electrical controls in enclosure (not shown) will be shipped loose and must be mounted by whomever is performing electrical installation.
1-60-110 power must be run to filter controls from a main control panel and from filter controls to the solenoid valves on the filter.
In some cases, it may prove advantageous to remove the electrical controls (but not solenoids) from its enclosure and place them in the main control panel.
- ② 80-100 psi plant air required.
- ③ Units with 25 bags or more have two lift off lids. Consult The Pneu-Service Center™ for specific details.
- ④ 8" square access door supplied when mangrid used.



THE PNEU-SERVICE CENTER™

For Ordering and Pricing Information, Call Toll Free 1-888-351-8100.

3 – FILTER & BAG HOUSE COMPONENTS

Bin Vent Filters (page 2 of 2)

TABLES BELOW ARE FOR BOTTOM AND TOP BAG REMOVAL
 When ordering, please specify Bottom Bag Removal or Top Bag Removal.

| Filter Model | Filter Area (sq. ft.) | No. of Bags | Bag Length (inch) | Compressed Air (SCFM) |
|--------------|-----------------------|-------------|-------------------|-----------------------|
| 18BV2 | 3.7 | 2 | 18 | 3.1 |
| 36BV2 | 8.3 | | 36 | 3.3 |
| 48BV2 | 11.4 | | 48 | 3.5 |
| 60BV2 | 14.5 | | 60 | 3.7 |
| 72BV2 | 17.6 | | 72 | 3.9 |
| 84BV2 | 20.6 | | 84 | 4.1 |
| 96BV2 | 23.7 | | 96 | 4.3 |
| 18BV3 | 5.6 | 3 | 18 | 3.3 |
| 36BV3 | 12.5 | | 36 | 3.5 |
| 48BV3 | 17.1 | | 48 | 3.7 |
| 60BV3 | 21.7 | | 60 | 3.9 |
| 72BV3 | 26.3 | | 72 | 4.0 |
| 84BV3 | 31.0 | | 84 | 4.3 |
| 96BV3 | 35.6 | | 96 | 4.5 |
| 18BV4 | 7.4 | 4 | 18 | 3.4 |
| 36BV4 | 16.7 | | 36 | 3.6 |
| 48BV4 | 22.8 | | 48 | 3.8 |
| 60BV4 | 29.0 | | 60 | 4.0 |
| 72BV4 | 35.1 | | 72 | 4.2 |
| 84BV4 | 41.3 | | 84 | 4.4 |
| 96BV4 | 47.4 | | 96 | 4.6 |
| 18BV6 | 11.2 | 6 | 18 | 3.6 |
| 36BV6 | 25.0 | | 36 | 3.8 |
| 48BV6 | 34.2 | | 48 | 4.0 |
| 60BV6 | 43.4 | | 60 | 4.2 |
| 72BV6 | 52.7 | | 72 | 4.4 |
| 84BV6 | 61.9 | | 84 | 4.6 |
| 96BV6 | 71.1 | | 96 | 4.8 |
| 18BV9 | 16.7 | 9 | 18 | 4.0 |
| 36BV9 | 37.5 | | 36 | 4.2 |
| 48BV9 | 51.3 | | 48 | 4.4 |
| 60BV9 | 65.2 | | 60 | 4.6 |
| 72BV9 | 79.0 | | 72 | 4.8 |
| 84BV9 | 92.9 | | 84 | 5.0 |
| 96BV9 | 106.7 | | 96 | 5.2 |
| 120BV9 | 134.4 | | 120 | 5.4 |
| 18BV16 | 29.7 | 16 | 18 | 5.2 |
| 36BV16 | 66.6 | | 36 | 5.5 |
| 48BV16 | 91.3 | | 48 | 5.7 |
| 60BV16 | 115.9 | | 60 | 5.9 |
| 72BV16 | 140.5 | | 72 | 6.0 |
| 84BV16 | 165.1 | | 84 | 6.2 |
| 96BV16 | 189.1 | | 96 | 6.4 |
| 120BV16 | 238.9 | | 120 | 6.6 |

| Filter Model | Filter Area (sq. ft.) | No. of Bags | Bag Length (inch) | Compressed Air (SCFM) |
|--------------|-----------------------|-------------|-------------------|-----------------------|
| 18BV25 | 46.5 | 25 | 18 | 6.3 |
| 36BV25 | 104.1 | | 36 | 6.5 |
| 48BV25 | 142.6 | | 48 | 6.6 |
| 60BV25 | 181.0 | | 60 | 6.8 |
| 72BV25 | 219.5 | | 72 | 6.9 |
| 84BV25 | 257.9 | | 84 | 7.0 |
| 96BV25 | 296.4 | | 96 | 7.1 |
| 120BV25 | 373.3 | | 120 | 7.4 |
| 36BV36 | 150.0 | | 36 | 36 |
| 48BV36 | 205.3 | 48 | | 7.75 |
| 60BV36 | 260.7 | 60 | | 8.0 |
| 72BV36 | 316.1 | 72 | | 8.3 |
| 84BV36 | 371.4 | 84 | | 8.5 |
| 96BV36 | 426.8 | 96 | | 8.8 |
| 120BV36 | 537.5 | 120 | | 9.3 |
| 36BV49 | 204.1 | 49 | 36 | 9.1 |
| 48BV49 | 279.5 | | 48 | 9.4 |
| 60BV49 | 354.8 | | 60 | 9.6 |
| 72BV49 | 430.2 | | 72 | 9.8 |
| 84BV49 | 505.6 | | 84 | 10.0 |
| 96BV49 | 580.9 | | 96 | 10.2 |
| 120BV49 | 731.7 | | 120 | 10.4 |
| 36BV64 | 266.6 | 64 | 36 | 11.0 |
| 48BV64 | 365.0 | | 48 | 11.3 |
| 60BV64 | 463.5 | | 60 | 11.5 |
| 72BV64 | 561.9 | | 72 | 11.7 |
| 84BV64 | 660.3 | | 84 | 11.9 |
| 96BV64 | 758.8 | | 96 | 12.1 |
| 120BV64 | 955.6 | | 120 | 12.3 |
| 48BV81 | 462.0 | 81 | 48 | 13.4 |
| 60BV81 | 586.6 | | 60 | 13.6 |
| 72BV81 | 711.2 | | 72 | 13.8 |
| 84BV81 | 835.7 | | 84 | 14.0 |
| 96BV81 | 960.3 | | 96 | 14.2 |
| 120BV81 | 1209.5 | | 120 | 14.4 |
| 60BV100 | 724.2 | 100 | 60 | 16.0 |
| 72BV100 | 878.0 | | 72 | 16.2 |
| 84BV100 | 1031.8 | | 84 | 16.4 |
| 96BV100 | 1185.6 | | 96 | 16.6 |
| 120BV100 | 1493.2 | | 120 | 16.8 |

THE PNEU-SERVICE CENTER™

For Ordering and Pricing Information, Call Toll Free 1-888-351-8100.